

## **INTRODUCTORY NOTE**

This directory contains the names and addresses of physicians who are authorized to perform physical examinations and issue airman medical certificates for the Administrator of the Federal Aviation Administration. This 2016 edition follows the same format as previous editions, and contains updated Aviation Medical Examiner information compiled through Aug. 09, 2016. All Aviation Medical Examiners listed in this directory are authorized to conduct airman physical examinations for Second and Third Class Medical Certificates. They are also authorized to issue the combined Medical-Student Pilot Certificate. Aviation Medical Examiners authorized to issue First Class Medical Certificates are identified by an (\*) asterisk symbol.

Part 61 of the Federal Aviation Regulations describes the various types of airman operations and indicates the class of medical certification required.

Physicians interested in becoming Aviation Medical Examiners should request application forms from the FAA Regional Flight Surgeon.

### **NEW ENGLAND REGION**

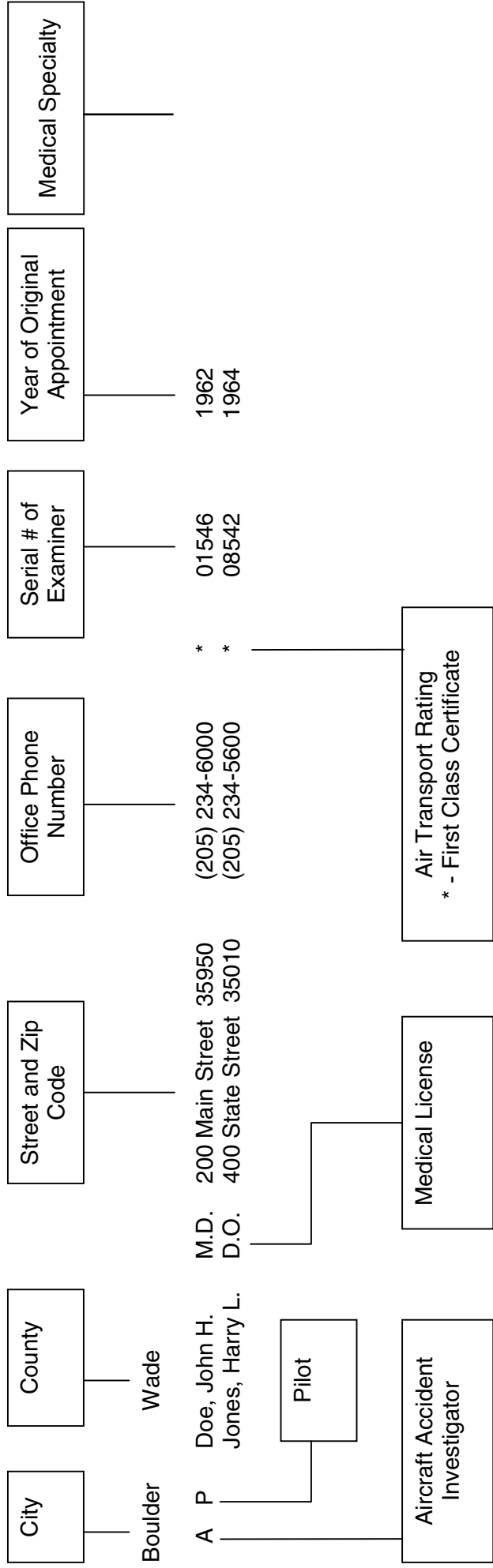
Paul H. Clark, M.D.  
Regional Flight Surgeon, ANE-300  
Federal Aviation Administration  
12 New England Executive Park  
Burlington, Massachusetts 01803-5299

Telephone (781) 238-7300  
FAX (781) 238-7306

#### **The following states are in the New England Region:**

Connecticut	Maine
Massachusetts	New Hampshire
Rhode Island	Vermont

**FORMAT OF AVIATION MEDICAL EXAMINER DIRECTORY**



**You should make requests for changes or Corrections to your Regional Flight Surgeon.**

## CONNECTICUT

<b>AVON</b>		<b>HARTFORD</b>					
KOFF, ARNOLD	MD UNKNOWN, 30 WEST AVON ROAD 06001-3583		(860) 675-6595	*	000019416	1983	Internal Medicine
<b>BLOOMFIELD</b>		<b>HARTFORD</b>					
JOSEL, MARK	MD UNKNOWN, 4 NORTHWESTERN DRIVE 06002-3443		(860) 243-3344	*	000016420	1979	Internal Medicine
<b>BOLTON</b>		<b>TOLLAND</b>					
BUCKMAN, RONALD L.	MD BOLTON FAMILY AND SPORTS MEDICINE, 921 BOSTON TURNPIKE 06043-		(860) 646-0649	*	000002076	2007	Sports Medicine
<b>CHESTER</b>		<b>MIDDLESEX</b>					
WINTER, OLIVER S	MD UNKNOWN, 61 WINTHROP ROAD 06412-0000		(860) 526-4500	*	000010311	1968	Internal Medicine
<b>COLCHESTER</b>		<b>NEW LONDON</b>					
CONRAD, CARL C	MD UNKNOWN, 21 PALMER ROAD 06415-0000		(860) 537-2241		000016471	1982	Ophthalmology
<b>DANBURY</b>		<b>FAIRFIELD</b>					
OTT, CASEY K	MD EXECUTIVE MEDICAL CENTER, 53 MIRY BROOK ROAD 06810-		(203) 778-4546	*	000002084	2007	Internal Medicine
<b>DERBY</b>		<b>NEW HAVEN</b>					
SCHWARTZ, KENNETH	MD GRIFFIN FACILITY PHYSICIANS, 67 MAPLE AVENUE 06418-1326		(203) 732-1257		000016456	1980	Internal Medicine
<b>GREENWICH</b>		<b>FAIRFIELD</b>					
MURPHY, STEVEN	MD DIAGNOSTIC & MED. SPECIALISTS OF GREENWICH, 1 EAST PUTNAM AVE. 06830-		(203) 340-9611	*	000002127	2011	Internal Medicine
<b>HARTFORD</b>		<b>HARTFORD</b>					
DODENHOFF, ROBERT M.	MD CTAME, LLC, 58 LINDBERGH DRIVE 06114-		(860) 244-9110	*	000002075	2006	Internal Medicine
<b>MIDDLEBURY</b>		<b>NEW HAVEN</b>					
LUNAN, JAMES	MD UNKNOWN, 819 STRAITS TURNPIKE 06762-0000		(203) 598-7920	*	000019978	2001	Emergency Medicine
PINERO MD, JOSE R	MD UNKNOWN, 819 STRAITS TURNPIKE 06762-		(203) 598-7920	*	000002135	2012	Internal Medicine
TERRANOVA, GEORGE J	MD UNKNOWN, 819 STRAITS TURNPIKE 06762-0000		(203) 598-7920	*	000016434	1979	Family Practice/General Practice
<b>MIDDLETOWN</b>		<b>MIDDLESEX</b>					
DANYLIW, THOMAS J	MD MIDDLESEX OCCUP HEALTH GROUP, 534 SAYBROOK RD 06457-		(860) 358-2750	*	000016482	1983	Family Practice/General Practice
<b>NEW HAVEN</b>		<b>NEW HAVEN</b>					
FORTIN VI, AUGUSTE H.	MD ADULT PRIMARY CARE CENTER, YALE NEW HAVEN HOSP. 1450 CHAPEL ST 06511-		(203) 789-4044	*	000020042	1998	Internal Medicine
WORMSER, ANDREW	MD UNKNOWN, PRINCE PROFESSIONAL CTR 46 PRINCE ST STE 302 06519-0000		(203) 772-0011		000019504	1993	Internal Medicine
<b>NEW LONDON</b>		<b>NEW LONDON</b>					
BERTMAN, GARY M.	MD GP FAMILY CARE, 157 MONTAUK AVE 06320-0000		(860) 437-0333	*	000020050	1999	Family Practice/General Practice
GATES, PETER J	MD GP FAMILY CARE, 157 MONTAUK AVE 06320-0000		(860) 437-0333	*	000019989	2003	Family Practice/General Practice
<b>STAMFORD</b>		<b>FAIRFIELD</b>					
SLUTSKY, RICHARD M.	MD UNKNOWN, MEDICAL ASSOCIATES OF STAMFORD 292 LONG RIDGE ROAD 06902-		(203) 323-4458	*	000002060	2004	Internal Medicine
<b>STORRS/MANSFIELD</b>		<b>TOLLAND</b>					
WINAKOR, ROSS L.	MD MANSFIELD FAMILY PRACTICE, 34 PROFESSIONAL PARK ROAD 06268-		(860) 487-0002		000002108	2009	Family Practice/General Practice
<b>WEST HARTFORD</b>		<b>HARTFORD</b>					
TEIGER, MICHAEL	MD UNKNOWN, 345 NORTH MAIN STREET BISHOPS CORNER, 1ST FLOOR 06117-		(860) 278-3812	*	000019495	1991	Internal Medicine

## MAINE

<b>AUBURN</b>		<b>ANDROSCOGGIN</b>					
HOLLER, FREDERICK C	MD UNKNOWN, 352 W. AUBURN RD 04210-		(207) 784-8307		000012372	2000	Otorhinolaryngology
<b>BANGOR</b>		<b>PENOBSCOT</b>					
HALLBERT, DAVID	MD EMMC Internal Medicine, 302 Husson Avenue SUITE 1 04402-		(207) 947-6141	*	000020030	1996	Internal Medicine
<b>BATH</b>		<b>SAGADAHOC</b>					
HILL, DAVID S	MD UNKNOWN, 1326 WASHINGTON STREET 04530-2459		(207) 443-6211	*	000013818	1972	Family Practice/General Practice
<b>FALMOUTH</b>		<b>CUMBERLAND</b>					
EULE, MARK	MD UNKNOWN, 18 MARIGOLD LANE 04105-		(207) 576-6948		000012031	1972	Family Practice/General Practice

**MAINE - (Cont.)**

<b>GARDINER</b>	<b>KENNEBEC</b>					
ROLFE, MARK C.	MD MAINE GENERAL HEALTH ASSOC., 150 DRESDEN AVE. 04345-	(207) 621-3704	000002091	2008	Family Practice/General Practice	
<b>HAMPDEN</b>	<b>PENOBSCOT</b>					
GOTT, DANIEL C.	DO EMMG FAMILY MEDICINE - HAMPDEN, PO 694 - 7 MAIN ROAD NORTH 04444-	(207) 862-9400	* 000002059	2004	Family Practice/General Practice	
<b>LEWISTON</b>	<b>ANDROSCOGGIN</b>					
WOLF, KENNETH P	MD UNKNOWN, 249 MAIN STREET 04240-7023	(207) 786-0668	* 000013844	1973	Ophthalmology	
<b>PEMBROKE</b>	<b>WASHINGTON</b>					
MORSE JR, WILLARD J	MD UNKNOWN, 292 HERSEY ROAD 04666-	(207) 726-5150	* 000013827	1972	Family Practice/General Practice	
<b>SCARBOROUGH</b>	<b>CUMBERLAND</b>					
CHASE, Howard	DO UNKNOWN, RT 1 AT SOUTHGATE RD PO BOX 488 04070-0488	(207) 415-4876	* 000019443	1986	Family Practice/General Practice	
<b>SOUTH PORTLAND</b>	<b>CUMBERLAND</b>					
HINCKLEY, HARRIS	MD UNKNOWN, 25 PHILLIPS RD 04106-4946	(207) 799-2235	* 000019413	1983	Family Practice/General Practice	
RUTH MD, WILLIAM	MD INTERMED, 100 FODEN ROAD EAST SUITE 203 04106-	(207) 523-3700	* 000002136	2012	Emergency Medicine	
<b>WATERVILLE</b>	<b>KENNEBEC</b>					
MARRACHE, RONNIE C	MD ELM CITY MEDICAL ASSOCIATES, 109 SILVER ST 04901-0000	(207) 619-4322	* 000019982	2002	Internal Medicine	

**MASSACHUSETTS**

<b>ATHOL</b>	<b>WORCESTER</b>					
SKRZYPCZAK, JOHN M	MD ATHOL HOSPITAL, 2033 Main St 01331-	(978) 827-6290	000019484	1991	Internal Medicine	
<b>AYER</b>	<b>MIDDLESEX</b>					
VOIGHT, ROBERT O.	MD OCCUPATIONAL HEALTH CENTER, NASHOBA VALLEY MEDICAL CENTER 200 GROTON RD. 01432-	(978) 784-9328	* 000002094	2008	Internal Medicine	
<b>BEVERLY</b>	<b>ESSEX</b>					
FRIEDMAN, STEPHEN	MD UNKNOWN, 9 COLUMBUS AVENUE 01915-	(978) 927-5777	* 000019966	2001	Aerospace Medicine	
<b>BILLERICA</b>	<b>MIDDLESEX</b>					
PORTNAY, GARY I	MD HARVAARD VANGARD, 790 BOSTON ROAD 01821-	(781) 505-8700	* 000013858	1974	Internal Medicine	
<b>BOSTON</b>	<b>SUFFOLK</b>					
Burress, John	MD OccMed Consulting & Injury Care, LLC, 30 Lancaster Street 2nd Floor 02114-	(617) 314-2018	* 000019977	2001	Occupational/Industrial Medicine	
<b>CAMBRIDGE</b>	<b>MIDDLESEX</b>					
RISSER, THOMAS A	MD CAMBRIDGE HOSPITAL, 1493 CAMBRIDGE ST 02139-	(781) 789-6253	* 000019493	1991	Internal Medicine	
<b>CARLISLE</b>	<b>MIDDLESEX</b>					
BLANKENSHIP, SUSAN E	MD UNKNOWN, 233 NOWELL FARME 01741-	(617) 538-0757	000019911	1994	Internal Medicine	
<b>FALL RIVER</b>	<b>BRISTOL</b>					
ZUZARTE, KARL M	MD INTERNAL MED &amp; CARDIO ASSOC, SOUTHEASTERN NEW ENGLAND 1565 N MAIN ST 02720-0000	(508) 675-0369	* 000019979	2001	Internal Medicine	
<b>FALMOUTH</b>	<b>BARNSTABLE</b>					
ALBAN, JAMES	MD UNKNOWN, 7 BRAMBLEBUSH PARK 02540-	(508) 548-5406	* 000000958	2012	Internal Medicine	
MCLEAN, WALTER	MD AVIATION MEDICINE, 7 BRAMBLEBUSH PARK 02540-	(508) 457-4755	* 000002120	2010	Family Practice/General Practice	
<b>HYANNIS</b>	<b>BARNSTABLE</b>					
RYMZO JR, WALTER T	MD UNKNOWN, 171 MAIN STREET - SUITE B 02601-0000	(508) 771-0280	* 000016418	1979	Internal Medicine	
<b>LYNN</b>	<b>ESSEX</b>					
DUDANI, NIRANJAN	MD UNKNOWN, 214 OCEAN STREET 01902-0000	(781) 595-6800	* 000011624	1974	Aerospace Medicine	
<b>MARLBORO</b>	<b>MIDDLESEX</b>					
HILL, ARNOLD J	MD UNKNOWN, 320 BOLTON ST #100 01752-	(508) 485-0104	* 000019490	1991	Internal Medicine	
<b>MARSHFIELD</b>	<b>PLYMOUTH</b>					
HANNA, THARWAT A.	MD UNKNOWN, 435 FURNACE ST 02050-0000	(781) 834-4234	* 000020040	1998	Internal Medicine	
<b>MELROSE</b>	<b>MIDDLESEX</b>					
MUDROCK, JOHN	MD UNKNOWN, 536 FRANKLIN ST 02176-0000	(781) 662-2310	* 000019464	1989	Internal Medicine	

**MASSACHUSETTS - (Cont.)**

<b>NANTUCKET</b>		<b>NANTUCKET</b>						
GITLOW, STUART	MD NANTUCKET CENTER FOR INTEGRATIVE PSYCHOTHERAPY, P.O. BOX 3367 126 MAIN STREET 02584-3367	(401) 338-0493	000002073	2006	Psychiatry			
<b>NORTH ANDOVER</b>		<b>ESSEX</b>						
WARNOCK, RICHARD N	MD UNKNOWN, 200 SUTTON STREET STE 120 01845-1656	(978) 686-6464	* 000019431	1985	Orthopedic Surgery			
<b>NORWOOD</b>		<b>NORFOLK</b>						
WAINER, ROBERT A	MD UNKNOWN, 95 CHAPEL STREET 02062-3155	(781) 762-1805	* 000013853	1974	Internal Medicine			
<b>PITTSFIELD</b>		<b>BERKSHIRE</b>						
CULVER, JEAN M.	MD BERKSHIRE OCCUPATIONAL HEALTH, 610 NORTH STREET 01201-	(413) 447-2684	000002087	2010	Occupational/Industrial Medicine			
<b>SOUTH DENNIS</b>		<b>BARNSTABLE</b>						
AGNES JR., RONALD D.	MD Healing Edge Occupational Medicine, 860 ROUTE 134, UNIT 5/6 Suite 5 02660-	(508) 745-6133	* 000002102	2009	Occupational/Industrial Medicine			
<b>SPRINGFIELD</b>		<b>HAMPDEN</b>						
CALVANESE, ALPHONSE F	MD UNKNOWN, 299 CAREW ST SUITE 426 01104-0000	(413) 732-8060	000016470	1981	Internal Medicine			
GANIM B., ROSE	MD BAYSTATE MEDICAL CENTER- DIV. THORACIC SURGERY, 2 MEDICAL CENTER DR, SUITE 205 01107-	(413) 794-8050	000002115	2010	Surgeon			
<b>TURNERS FALLS</b>		<b>FRANKLIN</b>						
GAVRYCK, WAYNE A	MD UNKNOWN, 8 BURNHAM ST 01376-0000	(413) 774-5554	000016491	1983	Internal Medicine			
<b>WALTHAM</b>		<b>MIDDLESEX</b>						
ALPER, MICHAEL M	MD UNKNOWN, 130 SECOND AVE 02451-0000	(781) 434-6500	000019440	1986	General Surgery			
<b>WAYLAND</b>		<b>MIDDLESEX</b>						
SPERLING, ARNOLD L	MD UNKNOWN, 241 BOSTON POST ROAD 01778-1889	(508) 358-5707	* 000017499	1981	Obstetrics/Gynecology			
<b>WESTFIELD</b>		<b>HAMPDEN</b>						
BASHIRUDDIN, BASHIR	MD FAMILY MED ASSOC, 75 SPRINGFIELD RD 01085-0000	(413) 562-5173	* 000019491	1991	Internal Medicine			
KEENAN, JOSEPH	MD BARNES AIRPORT TERMINAL, 110 AIRPORT ROAD SUITE 111 01085-	(413) 568-2304	* 000002088	2008	Otorhinolaryngology			
REYNOLDS, LANCE D	MD FAMILY MEDICINE ASSOCIATES, 75 SPRINGFIELD RD STE 1 01085-0000	(413) 562-5173	* 000019987	2003	Internal Medicine			
<b>WESTWOOD</b>		<b>NORFOLK</b>						
BREDA, JOHN A.	MD Medical Office of John Breda/Charles McInnis, 541 High Street 1st Floor 02090-	(617) 877-0025	* 000002065	2005	Internal Medicine			
<b>NEW HAMPSHIRE</b>								
<b>AMHERST</b>		<b>NEW HAMPSHIRE</b>						
GARHART, SALLY J	MD Souhegan Occupational Medicine, 109 Ponemah Road, Unit E5 PO Box 6274 03031-	(603) 491-5036	* 000020047	1999	Internal Medicine			
<b>BEDFORD</b>		<b>HILLSBOROUGH</b>						
SULS, HOWARD	MD FAMILY AND SPORTS MEDICINE ASSOC., 601 RIVERWAY PLACE - UNIT 6 03110-	(603) 622-2112	* 000002106	2009	Family Practice/General Practice			
<b>BERLIN</b>		<b>COOS</b>						
GLENNEY, CHRISTOPHER	MD AVH SURGICAL ASSOCIATES, 7 PAGE HILL ROAD 03570-	(603) 752-7750	000019461	1989	Cardiovascular Surgery			
<b>CLAREMONT</b>		<b>SULLIVAN</b>						
BARNES, ROY M	MD VALLEY FAMILY PHYSICIANS, 5 DUNNING STREET SUITE 1 03743-2070	(603) 543-1251	000002083	2007	Family Practice/General Practice			
<b>CONCORD</b>		<b>MERRIMACK</b>						
MURPHY, RICHARD K	MD CONCORD SURGICAL ASSOCIATES, 246 PLEASANT ST MEMORIAL BLDG STE 205 03301-0000	(603) 224-0584	000019981	2002	Cardiovascular Surgery			
<b>DOVER</b>		<b>STRAFFORD</b>						
GROSS, THOMAS W.	MD TQ FLIGHT MEDICINE, 1 WEBB PLACE 03820-	(603) 749-7979	* 000000951	2014	Emergency Medicine			
TURNQUIST Sr., PAUL E.	MD TQ FLIGHT MEDICINE, 1 WEBB PLACE 03820-	(207) 794-7185	* 000025056	2005	Family Practice/General Practice			
<b>EXETER</b>		<b>ROCKINGHAM</b>						
ZWAAN MD, ANTHONY	MD UNKNOWN, 19 HAMPTON RD STE 1 03833-	(603) 773-2225	* 000002062	2005	Family Practice/General Practice			
<b>LACONIA</b>		<b>BELKNAP</b>						
MILCHEV, VALENTIN	MD LACONIA CLINIC, 724 MAIN STREET - P.O. BOX 637 03247-0637	(603) 524-5151	000002112	2010	Internal Medicine			

**NEW HAMPSHIRE - (Cont.)**

<b>LEBANON</b>		<b>GRAFTON</b>				
BUCKEY JR, JAY C	MD DARTMOUTH-HITCHCOCK, ONE MEDICAL CTR DR 03756-0000	(603) 653-3850	*	000020058	2000	Internal Medicine
MURRAY, CAROLYN	MD DARTMOUTH-HITCHCOCK MED CTR, 1 MEDICAL CENTER DR 03756-	(603) 653-3850	*	000020038	1998	Occupational/Industrial Medicine
<b>MANCHESTER</b>		<b>HILLSBOROUGH</b>				
PACKARD, CRAIG	MD CONCENTRA, 1279 SOUTH WILLOW ST. 03103-	(603) 644-3330		000000956	2012	Occupational/Industrial Medicine
HAGAN, JOSEPH	MD ExpressMed, 1 Highlander Way Suite 2 03103-	(603) 3-625-2622	*	000000961	2013	
MEKLER, ALAN	MD ELLIOT - OCCUPATIONAL HEALTH, 185 QUEEN CITY AVENUE - THIRD FLOOR 03101-	(603) 663-5400	*	000020052	1999	
<b>NASHUA</b>		<b>HILLSBOROUGH</b>				
FRAMPTON, ROY	MD UNKNOWN, 166 KINSLEY STREET - SUITE 203 03060-	(603) 673-0205	*	000013824	1972	Family Practice/General Practice
TIMMONS, ROBERT A	DO DARTMOUTH HITCHCOCK NASHUA, 2300 SOUTHWOOD DRIVE 03063-	(603) 577-4166	*	000002092	2008	Occupational/Industrial Medicine
<b>PLYMOUTH</b>		<b>GRAFTON</b>				
REISERT, JEFFREY T	DO UNKNOWN, 142 BELL RD. 03264-3502	(603) 536-6355		000020053	2000	Internal Medicine
<b>SANBORNVILLE</b>		<b>CARROLL</b>				
BADMAN, DENNIS	MD WAKEFIELD FAMILY MEDICINE, 131 MEADOW ST 03872-4329	(603) 871-8227		000020041	1998	Family Practice/General Practice

**RHODE ISLAND**

<b>BRISTOL</b>		<b>BRISTOL</b>				
ROSS, JAMES A	MD BRISTOL CO MED CTR, 1180 HOPE ST 02809-0000	(401) 253-8900	*	000019496	1991	Internal Medicine
<b>COVENTRY</b>		<b>KENT</b>				
COLLINS, DANIEL F	MD PAWTUXET VALLEY URGENT CARE, 982 TIOGUE AVE 02816-0000	(401) 821-6800	*	000016474	1982	Family Practice/General Practice
<b>NARRAGANSETT</b>		<b>WASHINGTON</b>				
BARRETT, JOHN	DO UNKNOWN, 360 KINGSTOWN ROAD 02882-	(401) 783-3334	*	000019705	1994	Internal Medicine
<b>PROVIDENCE</b>		<b>PROVIDENCE</b>				
RUGGIERI, RICHARD	MD UNKNOWN, 160 WAYLAND AVENUE 02906-0000	(401) 521-1221	*	000019483	1991	Internal Medicine
GREEN, SUSAN	MD Concentra, 290 Branch Ave 02904-	(401) 722-8880	*	000002119	2012	Occupational/Industrial Medicine
<b>SAUNDERSTOWN</b>		<b>WASHINGTON</b>				
ASHLEY, DAVID	MD UNKNOWN, 145 GILBERT STUART ROAD 02874-	(401) 529-7344	*	000002045	2004	Family Practice/General Practice
<b>WARWICK</b>		<b>KENT</b>				
HARONIAN, THOMAS J.	MD UNKNOWN, 110 JEFFERSON BLVD SUITE B 02888-	(401) 255-3381	*	000002125	2010	Emergency Medicine
KERZER, MARTIN J	DO POST ROAD MED GRP, 857 POST RD 02888-0000	(401) 467-3115	*	000019425	1984	Family Practice/General Practice
MAC MILLAN, JO ANN D	MD EOSI, 300 TOLLGATE RD - SUITE 101C 02886-0000	(401) 732-1330	*	000020033	1997	Otorhinolaryngology

**VERMONT**

<b>ESSEX JUNCTION</b>		<b>CHITTENDEN</b>				
MAJERCIK, DONALD A.	MD UNKNOWN, 18 PEARL STREET 05452-3605	(802) 879-6681	*	000016363	1976	General Surgery
<b>RUTLAND</b>		<b>RUTLAND</b>				
WEAVER, HOWARD A	MD UNKNOWN, 8 COMMON ST. 05701-	(802) 770-1807	*	000013846	1973	Internal Medicine
BULLOCK M.D, BRUCE	MD UNKNOWN, 8 COMMONS STREET 05701-	(802) 770-1807	*	000000964	2013	Family Practice/General Practice
<b>S BURLINGTON</b>		<b>CHITTENDEN</b>				
SCHWARTZBERG, JOSH	DO CHAMPLAIN MEDICAL, 150 KENNEDY DRIVE 05403-	(802) 448-9370	*	000016529	1993	Family Practice/General Practice